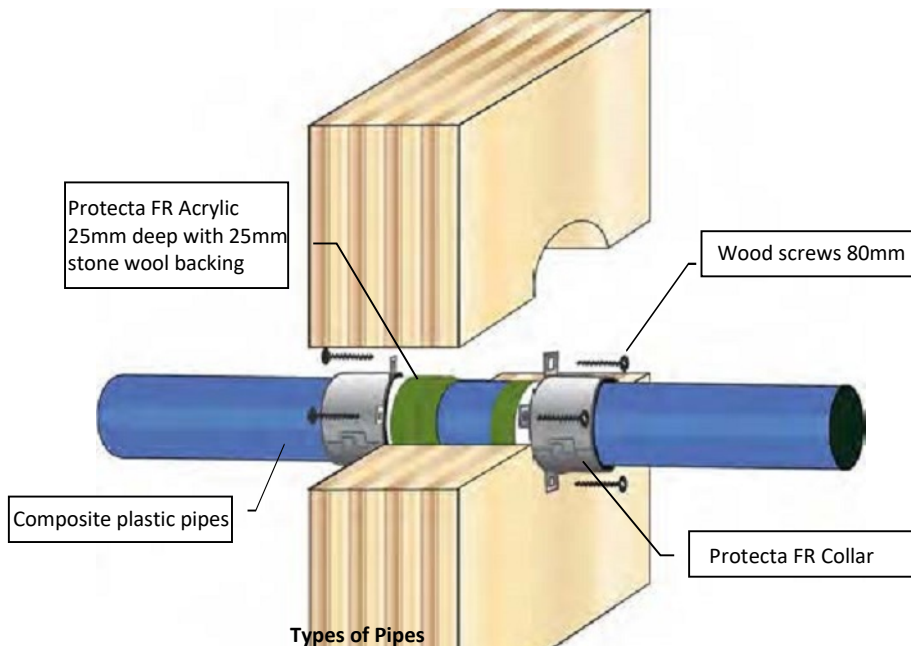


Protecta FR Collar - Reinforced PP Low-noise or PP-R, PP-RP Pipes in 100mm Timber/CLT Walls See pg2 for Aquatherm, Geberit, Wavin, Uponer, etc

Installation Instructions

1. For sealing plastic pipes, a pipe collar is installed on both sides of the wall.
2. Before fitting the pipe collar ensure that any gaps between the pipe and the separating element are sealed. Gaps between the pipe and the construction must be plugged with 25mm deep Protecta FR Acrylic on 25mm deep backing of stone-wool (or 50mm FR Acrylic).
3. Place a pipe collar around the service penetration (pipe) and ensure that the fixing lugs are positioned tightly to the surface of the wall so that the 80mm wood screw fixings can be inserted fully.
4. Where the surface is uneven, apply a sealing bead of Protecta® FR Acrylic between the wall and the pipe collar.
5. Annular gap must be minimum 10mm for pipe sizes up to 160mm. Annular gap for larger pipe sizes must be 8-12mm.
6. On sites where the penetration size is greater than the pipe diameter and/or the pipe is on an angle an oversized collar can be used. Protecta® FR Collars are tested 'oversize', i.e. the internal diameter of the collar can be larger than the pipe.



Types of Pipes

1. Acoustic or Low-Noise mineral reinforced PP water discharge pipes.
Tested on all major brands:-
Wavin SiTech+PP-MB
Geberit Silent PP
Polo-Kai NG Poloplast PP-MV
Rehau Raupiano Plus PP-DD
BluePower Multilayer TR02-PP
2. Potable domestic water piping made of reinforced PP-R or PP-RP
Aquatherm Green SDR9 MF PP-RP

System/FPA Register ID# FC603

Products	Protecta FR Collar Protecta FR Acrylic
Application	Fire stopping of composite plastic pipes in timber walls.
Construction	Minimum wall thickness of 100mm and comprise solid wood or cross-laminated timber with min density 510kg/m ³

Fire & Sound classification

Fire classifications in table on page 2.

Over-sized collars of any dimension approved, subject to:
Max angle 45°
Max FRR -/120/120
Max collar size 160mm

ZERO smoke leakage up to 200Pa

Sound reduction (seal only) STC 58



Protecta®

Polyseam Ltd, 15 St Andrews Road,
Huddersfield, West Yorkshire, HD1 6SB

Sheet size: A4	Drawn date & no: 28/7/21
--------------------------	-----------------------------

Scale: NTS	Drawn by: K.B
----------------------	------------------

Services	Wall thickness	Collar Height	Classification	Closed Systems Only	
				Collar Height	Classification
Rehau Raupiano Plus PP-DD and similar					
Up to 50mm diam	Up to 1.8mm	50mm	FRR -/120/90		
Up to 110mm diam	Up to 2.7mm	50mm	FRR -/120/60		
Up to 125mm diam	Up to 3.1mm	60mm	FRR -/120/120		
Up to 160mm diam	Up to 3.9mm	60mm	FRR -/120/120		
Polo-Kai NG Poloplast PP-MV and similar					
Up to 50mm diam	Up to 2.0mm	50mm	FRR -/120/120		
Up to 110mm diam	Up to 3.4mm	50mm	FRR -/120/90		
Up to 125mm diam	Up to 3.9mm	60mm	FRR -/120/-	60mm	FRR -/120/120
Up to 160mm diam	Up to 4.9mm	60mm	FRR -/120/120		
Aquatherm Green SDR9 MF PP-RP and similar					
Up to 32mm diam	Up to 5.6mm			30mm	FRR -/120/120
Up to 50mm diam	Up to 5.6mm			50mm	FRR -/120/120
Up to 110mm diam	Up to 12.3mm			50mm	FRR -/120/60
Wavin SiTech + PP-MB and similar					
Up to 50mm diam	Up to 1.8mm	50mm	FRR -/120/120		
Up to 110mm diam	Up to 3.4mm	50mm	FRR -/120/60		
Gilbert Silent PP and similar					
Up to 50mm diam	Up to 1.8mm	50mm	FRR -/120/120		
Up to 110mm diam	Up to 3.4mm	50mm	FRR -/120/60		
Blue Power Multilayer TR02-PP and similar					
Up to 50mm diam	Up to 1.8mm	50mm	FRR -/120/90		
Up to 110mm diam	Up to 3.4mm	50mm	FRR -/120/60		
Up to 125mm diam	Up to 3.8mm	60mm	FRR -/120/60		
Up to 160mm diam	Up to 4.9mm	60mm	FRR -/120/90		
Uponor Decibel and similar					
Up to 110mm diam	Up to 3.8mm	50mm	FRR -/120/60		

System/FPA Register ID# FC603

Products	Protecta FR Collar Protecta FR Acrylic
Application	Fire stopping of composite plastic pipes in timber walls.
Construction	Minimum wall thickness of 100mm and comprise solid wood or cross-laminated timber with min density 510kg/m ³

Fire & Sound classification

Fire classifications in table on left

ZERO smoke leakage up to 200Pa

 Sound reduction (seal only) STC 58


Protecta®

 Polyseam Ltd, 15 St Andrews Road,
 Huddersfield, West Yorkshire, HD1 6SB

 Sheet size: Drawn date & no:
A4

28/7/21

Scale:

NTS

Drawn by:

K.B

As a part of our policy of on-going product development and testing, we reserve the right to modify, alter or change product specifications without giving notice. All information contained in this document is given in good faith and is provided for guidance only. Any drawings provided are for illustrative purposes only. As Polyseam has no control over the methods or competence of installation and of prevailing site conditions, no warranties, expressed or implied, is intended to be given as to the actual performance of the product mentioned or referred to herein and no liability whatsoever will be accepted for any loss, damage or injury arising from the use of the information given.

For all technical details on the products specified please refer to the technical data sheets that can be found on www.firestopcentre.co.nz

Signed and approved: